

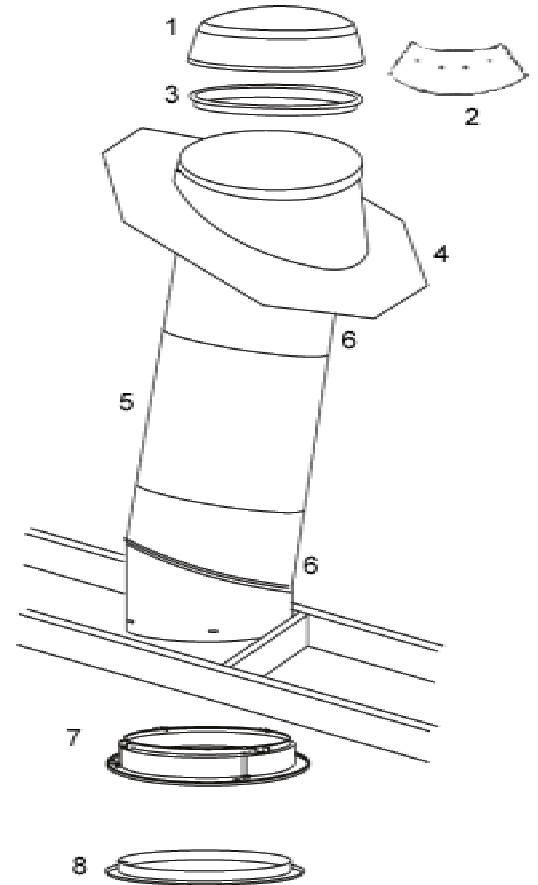
## Solatube Brighten Up® Series Material Specifications:

1. Roof Dome: Injection moulded, impact-resistant, polycarbonate with UV protective characteristics. Classified as TP(a) material, 3.2mm thick, with visible light transmission minimum 92%. Raybender® 3000 Technology (Patented) Prismatic pattern moulded into dome to capture low angle sunlight.
2. LightTracker™ Reflector increases daylight collection and harvesting for low sun angles, resulting in increased light output. Spectralight® Infinity. For specifications see # 5 below.
3. Dome Ring contains condensation gutter designed to channel out condensed moisture.
4. Roof Flashing: Metal with protective powder coating complements roofing materials and combats corrosive material. Alternative Roof Flashings available.
5. Spectralight Infinity Tubing: Fabricated from aluminium sheet meeting the requirements of ASTM B 209, alloy and temper required by the manufacturer to suit forming operations and finish requirements, 0.4mm thick.

**Interior Finish:** Spectralight Infinity high reflectance specular finish on exposed reflective surface; Visible spectrum (400 nm to 760 nm) greater than 99%; Total solar spectrum (400 nm to 2500 nm) less than 93%.

**Colour:** a\* and b\* (defined by CIE L\*a\*b colour model) shall not exceed plus 2 or be less than minus 2 as determined in accordance to ASTM E 308.

6. The 30 degree angle adaptors: Spectralight Infinity tubing fabricated from aluminium sheet meeting the requirements of ASTM B 209, alloy and temper required by the manufacturer to suit forming operations and finish requirements, 0.4mm thick. Optional 0-90 Degree extension tube also available (0.46mm thick).
7. Ceiling Ring: Injected moulded impact resistant acrylic.
8. Ceiling Diffuser Assembly (dual glazed): two options,  
OptiView® Diffuser or Vusion™ Diffuser.
  - a) Diffuser lens:  
**OptiView** – moulded polycarbonate plastic classified as TP(a) material.  
**Vusion** – injection moulded acrylic plastic classified as TP(b) material.
  - b) Diffuser Dress Ring: Injection moulded impact resistant acrylic.



**SolaLighting Limited, Sola House, 17 High Street, Olney, Buckinghamshire, MK46 4EB**  
Tel: 01234 241466 Fax: 01234 241766  
Email: [solatube@solalighting.co.uk](mailto:solatube@solalighting.co.uk) Website: [www.solalighting.co.uk](http://www.solalighting.co.uk)